

THERMOMETERS

BI-METAL THERMOMETERS

Bi-Metals in 1", 2", 3" & 5" Dial Sizes
Back Connection, Adjust-Angle or Bottom Connection
All Stainless Construction, Vibration Resistant - No Needle Flutter
Fast Response To Temperature Change, Hermetically Sealed (Moisture Proof)
Anti-Parallax Dial (Easy To Read), Recalibratable
A Complete Variety of Stem Lengths & Temperature Ranges Available

OTHER INDUSTRIAL QUALITY THERMOMETERS

We also carry a variety of other types of thermometers including (But not limited to):
Remote Thermometers, Scale Type - Red-Reading - Glass Tube Thermometers, Magnetic
Thermometers and Pocket thermometers.



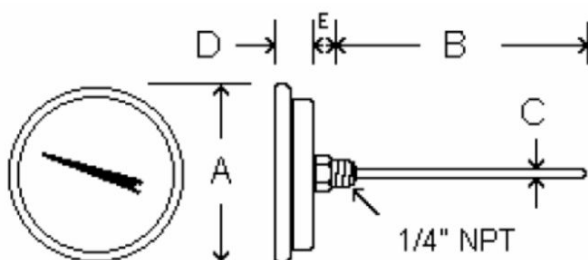
We Have A Thermometer For Your Application

BIMETAL THERMOMETERS

90° BACK ANGLE TYPE

STANDARD FEATURES

- All Stainless Construction
- With Glass Lens
- Fast Response To Temperature Change
- Hermetically Sealed (Moisture Proof)
- +/- 1 % Full Scale Accuracy
- 316SS Stem Material
- Stem Welded To Connection



STEM LENGTH*	PART NUMBER
	2" DIAL
2 1/2"	B2B2
4"	B2B4
6"	B2B6
9"	B2B9
12"	B2B12

2" Dial	A		B		C	D	E
	IN.	MM	STEM LENGTH	STEM LENGTH	.24"	.60"	.95"
		50.79			6.21	15.24	24.03

***Note:**

- Other Ranges, Stem Lengths And Configurations Are Available Upon Request.
- Thermowells of all sizes and materials of construction are available also.
- Please Call With Any Inquiries.

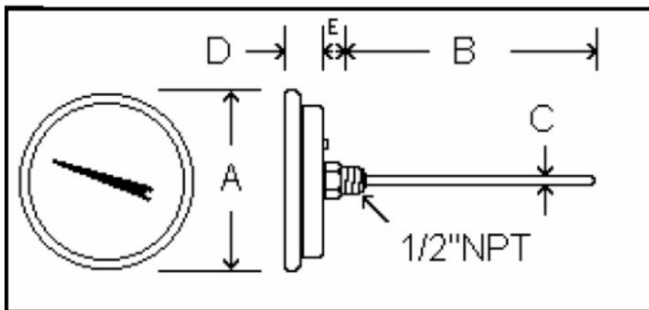
STANDARD RANGES*	
CODE	RANGE
AA	-40/120°F & C
BB	-40/160°F & C
EE	0/150°F & C
GG	0/200°F & C
HH	0/220°F & C
JJ	20/240°F & C
II	0/250°F & C
MM	50/300°F & C
PP	50/400°F & C
RR	50/550°F & C
SS	150/750°F & C
TT	200/1000°F & C

BIMETAL THERMOMETERS

90° BACK ANGLE TYPE

STANDARD FEATURES

- All Stainless Construction
- With Glass Lens
- Anti-Parallax Dial
- Vibration Resistant (Reduced Needle Flutter)
- Fast Response To Temperature Change
- Hermetically Sealed (Moisture Proof)
- +/- 1 % Full Scale Accuracy
- 316SS Stem Material
- Stem Welded To Connection
- Zero Adjustment on Back of Case



STEM LENGTH*	PART NUMBER	
	3" DIAL	5" DIAL
2 1/2"	B3B2	B5B2
4"	B3B4	B5B4
6"	B3B6	B5B6
9"	B3B9	B5B9
12"	B3B12	B5B12
15"	B3B15	B5B15
18"	B3B18	B5B18
24"	B3B24	B5B24

		A	B	C	D	E
3" Dial	IN.	3.18"	STEM LENGTH	.25"	.60"	.38"
	MM	80.78	STEM LENGTH	6.45	15.24	9.76
5" Dial	IN.	5.13"	STEM LENGTH	.25"	.67"	.38"
	MM	130.87	STEM LENGTH	6.45	16.95	9.76

***Note:**

- Other ranges, stem lengths and configurations are available upon request.
- Thermowells of all sizes and materials of construction are available also.
- Please call with any inquiries.

STANDARD RANGES*	
CODE	RANGE
AA	-40/120°F & C
BB	-40/160°F & C
EE	0/150°F & C
GG	0/200°F & C
JJ	20/240°F & C
II	0/250°F & C
MM	50/300°F & C
PP	50/400°F & C
RR	50/550°F & C
SS	150/750°F & C
TT	200/1000°F & C

ADJUSTABLE ANGLE BIMETAL THERMOMETERS

STANDARD FEATURES

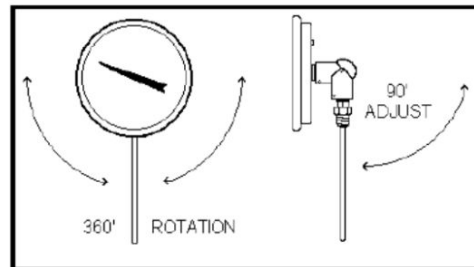
- All Stainless Construction
- Adjustment Screw on Case
- Glass Lens
- Anti-Parallax Dial
- Vibration Resistant (Reduced Needle Flutter)
- Fast Response To Temperature Change
- Hermetically Sealed (Moisture Proof)
- +/- 1 % Full Scale Accuracy
- 316 SS Stem
- Stem Welded at 1/2"NPT Hub



PART NUMBER*	STEM LENGTH*
B5A2	2 1/2"
B5A4	4"
B5A6	6"
B5A9	9"
B5A12	12"
B5A15	15"
B5A18	18"
B5A24	24"

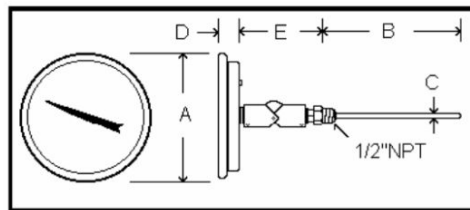
* For 3" Dial Size change 'B5A' to 'B3A'

STANDARD RANGES*	
CODE	RANGE
AA	-40/120° F & C
BB	-40/160° F & C
EE	0/150° F & C
GG	0/200° F & C
JJ	20/240° F & C
II	0/250° F & C
MM	50/300° F & C
PP	50/400° F & C
RR	50/550° F & C
SS	150/750° F & C
TT	200/1000° F & C



***NOTE:**

- 1.) Other ranges, stem lengths and configurations are available upon request.
- 2.) Thermowells of all types and materials of construction available also
- 3.) Please call with any inquiries.



Dial		A	B	C	D	E
5"	IN.	5.13"	STEM LENGTH	1/4"	.67"	3.3"
	MM	130.39	STEM LENGTH	6.45	16.95	83.87
3"	IN.	3.13"	STEM LENGTH	1/4"	.67"	3.3"
	MM	78	STEM LENGTH	6.45	16.95	83.87

MISCELLANEOUS BIMETAL THERMOMETERS

B2Bx

2" Dial Size Bimetal Thermometers

1/4" diameter, 1/4" NPT threaded stem
Plastic Lens
All Stainless Construction
With re-calibration screw on back of case
Accuracy: +/- 1 scale division
Available ranges: -40/160°F&C, 25/125°F, 0/220°F&C, 50/300°F&C, 50/500°F&C
Available stem lengths: 2 1/2", 4" & 6" (others available upon request)



BxB5

1" Dial Size Pocket Thermometers

Magnifying Plastic Lens
1/8" Diameter Pointed Plain Stem (Non-Threaded)
With Plastic Sleeve / Pocket Clip Case
Stainless Construction
With re-Calibration Feature
Accuracy: +/- 1° Scale Division
Available ranges: -40/160°F, 25/125°F&C, 0/220°F&C (or °F only), 50/550°F&C (or °F only)
Ranges for 2" Dial Size: -40/160°F&C, 0-220°F&C (others available upon request)
Stem Lengths: 5" (others available upon request)



B2Bx-x-CLIP

2" Dial Size Clip Type Thermometers

Plastic Lens
1/8" Diameter Pointed Plain Stem (Non-Threaded)
With Stainless Steel Clip
Stainless Construction
With re-calibration feature
Accuracy: +/- 1 scale division
Available range: 50/550°F&C (others available upon request)
Available stem lengths: 6", 10" or 12" (others available upon request)



B2B1-K / B2B1-K-SW 2 1/2" Dial Size Hot Water Thermometers

Plain Stem for use with Snap on Well*
*Wells Available: Brass - 1/2" NPT Threaded or Solder Type
Plastic Lens
Aluminum Construction
Accuracy: +/- 1° scale division
Range: 30/240°F&C
Stem Length: 1 1/2"

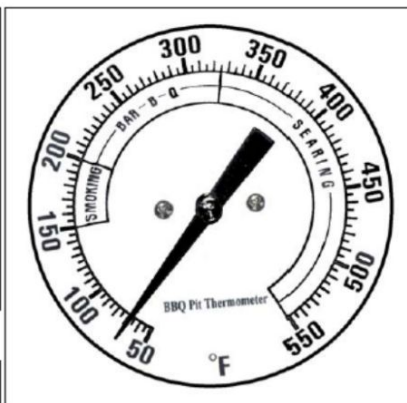
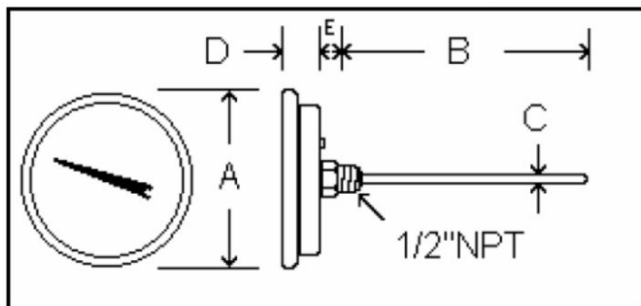


“BBQ-1” BAR-B-Q GRILL THERMOMETER

90° BACK ANGLE TYPE

STANDARD FEATURES

- All Stainless Construction
- With Heavy Duty Glass Lens
- Anti-Parallax Dial
- Vibration Resistant (No Needle Flutter)
- Fast Response To Temperature Change
- Hermetically Sealed (Moisture Proof)
- +/- 1 % Full Scale Accuracy
- 316SS Stem Material
- Stem Welded To Connection
- Zero Adjustment on Back of Case



		A	B	C	D	E
3" Dial	IN.	3.18"	STEM LENGTH	.25"	.60"	.38"
	MM	80.78	STEM LENGTH	6.45	15.24	9.76

PART NUMBER	STEM LENGTH*
BBQ-1	2 1/2"
STANDARD RANGE	
50/550°F & C	

***Note:**

- Other Ranges, Stem Lengths And Configurations Are Available Upon Request.
- Thermowells of all sizes and materials of construction are available also.
- Please Call With Any Inquiries.

THERMOWELLS

Buffalo Gauge, Inc. is a full line Thermowell Manufacturer. We Manufacture all sizes, connections and materials, Stocking the most commonly used types. We also make specials and carry accessories allowing for many options with quick deliveries.



Standard Wells



Lagging Wells



ANSI Flanged



RTJ Flanged



Weld In



Socket Weld



Van Stone



Test Port

Our capabilities include:

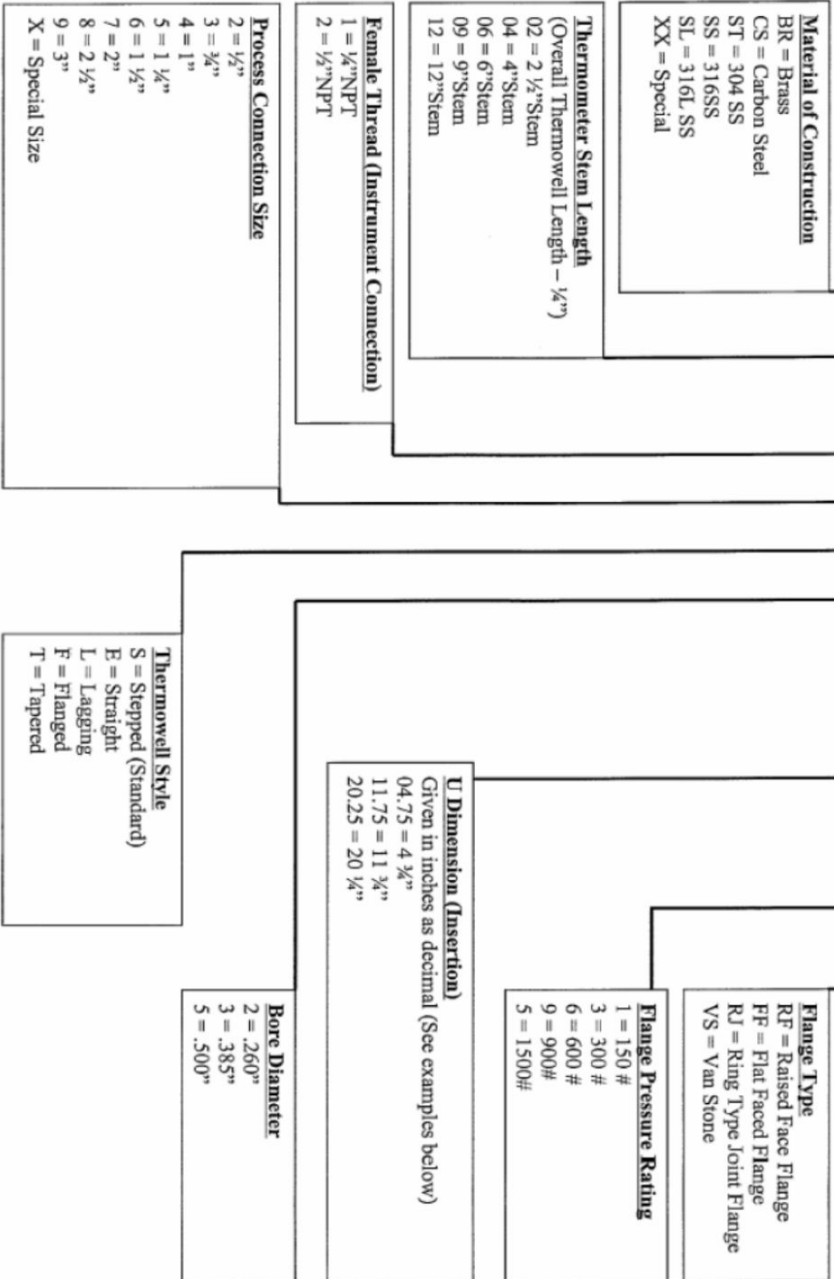
Available Materials		Available Connections		<u>Special Application</u>
Brass	Hastelloy C	Threaded	Clamped	<u>High Pressure</u>
Steel	Titanium	Flanged	Sanitary	<u>High Velocity</u>
Stainless Steel	Tantalum	Welded	Van Stone	<u>Sanitary</u>
Monel	Ceramic			<u>Test Port</u>

THERMOWELLS

WELLS FOR INDUSTRIAL BIMETAL THERMOMETERS																					
Standard Wells				Wells with Lagging Extension																	
1/2" NPT x 1/2" NPT				1/2" NPT x 1/2" NPT																	
A	U	Brass	Steel	304SS	316SS																
2 1/2"	1 5/8"	TW-BR02-22S	TW-CS02-22S	TW-ST02-22S	TW-SS02-22S																
4"	2 1/2"	TW-BR04-22S	TW-CS04-22S	TW-ST04-22S	TW-SS04-22S																
6"	4 1/2"	TW-BR06-22S	TW-CS06-22S	TW-ST06-22S	TW-SS06-22S																
9"	7 1/2"	TW-BR09-22S	TW-CS09-22S	TW-ST09-22S	TW-SS09-22S																
12"	10 1/2"	TW-BR12-22S	TW-CS12-22S	TW-ST12-22S	TW-SS12-22S																
1/2" NPT x 3/4" NPT				1/2" NPT x 3/4" NPT																	
A	U	Brass	Steel	304SS	316SS																
2 1/2"	1 5/8"	TW-BR02-23S	TW-CS02-23S	TW-ST02-23S	TW-SS02-23S																
4"	2 1/2"	TW-BR04-23S	TW-CS04-23S	TW-ST04-23S	TW-SS04-23S																
6"	4 1/2"	TW-BR06-23S	TW-CS06-23S	TW-ST06-23S	TW-SS06-23S																
9"	7 1/2"	TW-BR09-23S	TW-CS09-23S	TW-ST09-23S	TW-SS09-23S																
12"	10 1/2"	TW-BR12-23S	TW-CS12-23S	TW-ST12-23S	TW-SS12-23S																
15	13 1/2"	TW-BR15-23S	TW-CS15-23S	TW-ST15-23S	TW-SS15-23S																
18	16 1/2"	TW-BR18-23S	TW-CS18-23S	TW-ST18-23S	TW-SS18-23S																
24	22 1/2"	TW-BR24-23S	TW-CS24-23S	TW-ST24-23S	TW-SS24-23S																
1/2" NPT x 1" NPT				1/2" NPT x 1" NPT																	
A	U	Brass	Steel	304SS	316SS																
2 1/2"	1 5/8"	TW-BR02-24S	TW-CS02-24S	TW-ST02-24S	TW-SS02-24S																
4"	2 1/2"	TW-BR04-24S	TW-CS04-24S	TW-ST04-24S	TW-SS04-24S																
6"	4 1/2"	TW-BR06-24S	TW-CS06-24S	TW-ST06-24S	TW-SS06-24S																
9"	7 1/2"	TW-BR09-24S	TW-CS09-24S	TW-ST09-24S	TW-SS09-24S																
12"	10 1/2"	TW-BR12-24S	TW-CS12-24S	TW-ST12-24S	TW-SS12-24S																
15	13 1/2"	TW-BR15-24S	TW-CS15-24S	TW-ST15-24S	TW-SS15-24S																
18	16 1/2"	TW-BR18-24S	TW-CS18-24S	TW-ST18-24S	TW-SS18-24S																
24	22 1/2"	TW-BR24-24S	TW-CS24-24S	TW-ST24-24S	TW-SS24-24S																
<p>Brass Wells are not recommended for installations involving pressures and/or temperatures over 400°F <i>Brass cap and Chain available to keep bore clean when not in use</i></p>																					
<p>Other Wells available by request:</p> <table border="0" style="width: 100%;"> <tr> <td style="text-align: center;">Materials</td> <td style="text-align: center;">Connection Types</td> <td style="text-align: center;">Special Application</td> </tr> <tr> <td style="text-align: center;">Hastelloy C</td> <td style="text-align: center;">ASA Flanged</td> <td style="text-align: center;">High Pressure</td> </tr> <tr> <td style="text-align: center;">Titanium</td> <td style="text-align: center;">Van Stone</td> <td style="text-align: center;">High Velocity</td> </tr> <tr> <td style="text-align: center;">Tantelum</td> <td style="text-align: center;">Weld-in</td> <td style="text-align: center;">Sanitary</td> </tr> <tr> <td style="text-align: center;">Teflon Coating</td> <td style="text-align: center;">Tri-Clamp</td> <td style="text-align: center;">Test Port</td> </tr> </table>							Materials	Connection Types	Special Application	Hastelloy C	ASA Flanged	High Pressure	Titanium	Van Stone	High Velocity	Tantelum	Weld-in	Sanitary	Teflon Coating	Tri-Clamp	Test Port
Materials	Connection Types	Special Application																			
Hastelloy C	ASA Flanged	High Pressure																			
Titanium	Van Stone	High Velocity																			
Tantelum	Weld-in	Sanitary																			
Teflon Coating	Tri-Clamp	Test Port																			

Thermowell Part Number System

TW XX XX - X X X X - X X X X X X X X



REMOTE DIAL THERMOMETERS

Offered in 2 1/2", 3 1/2" and 4 1/2" dial sizes, these thermometers are furnished in four stainless steel case configurations for direct, surface or panel mounting. The following coding chart illustrates a wide variety of bulb styles, capillaries and process connection fittings. The versatility of configurations makes these thermometers well suited to a wide range of applications including hot and chilled water pipeline systems, tanks and air ducts.

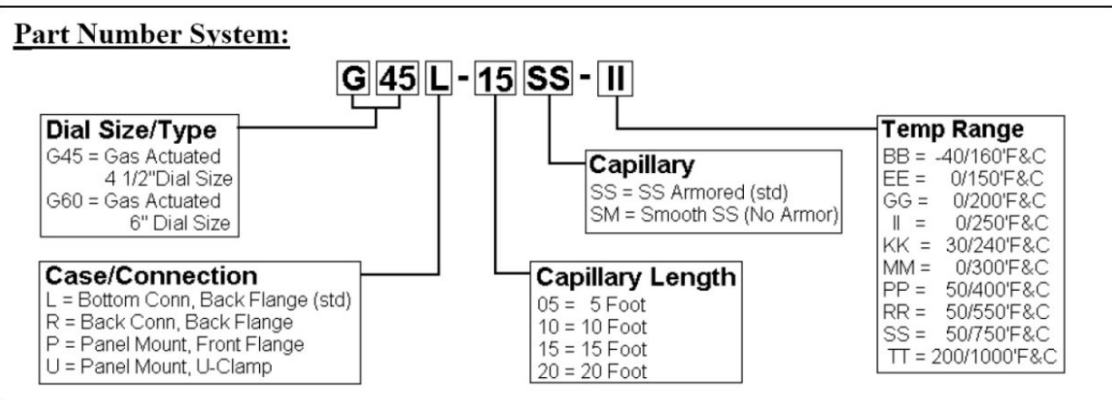


'G45' GAS ACTUATED THERMOMETERS

Our gas actuated thermometers combine mechanical instrument technology with reliable gas filled capillary tube and bulb assembly. The thermometer transmits temperature readings via expansion of the inert Gas used inside the bulb through the capillary and displaying the temperature on a dial type indicator. The result is a remote reading thermometer that requires no external power allowing temperature indication where it is convenient for the user.

SPECIFICATIONS

- ACCURACY** ±1% of range span.
- DIAL** - white coated aluminum with black markings.
- POINTER** - slotted adjustable type permits "zero set " calibration.
- CAPILLARY** - standard with stainless steel spiral interlock armor
- BULB** – 6" Stainless Steel with ½"NPT Bushing
- SCALE** – Linear dial arc (Due to Gas filled System)



OEM TRIDICATORS

Combination Pressure / Temperature Gauges

2 1/2" & 3 1/2" bottom or back connected stainless bezel with plastic or glass lens (or) plastic screw on cover a complete variety of cases, Dials & stem lengths available check our standard items we keep in stock – or - we can manufacture custom logos, ranges and configurations.



2 1/2" & 3 1/2" Dial Sizes



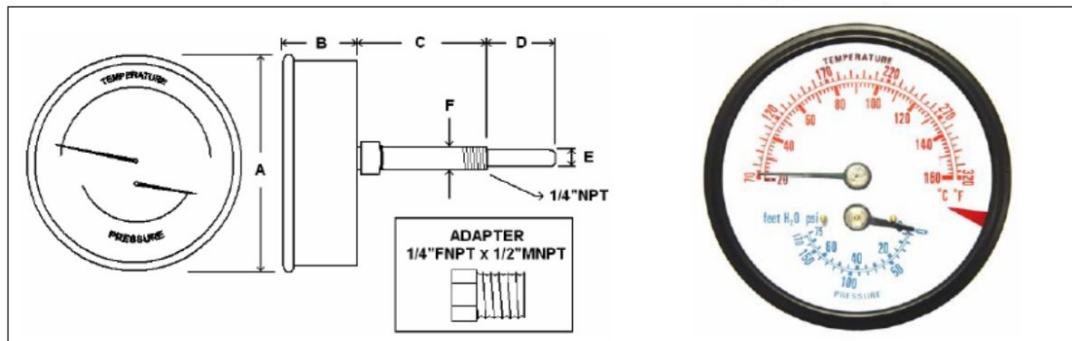
BUFFALO BACKFLOW INC.

2 1/2" COMMERCIAL TRIDICATORS

These instruments have been designed to indicate temperature and pressure in a single unit. With a price that makes this an affordable option for applications where bronze internals are suitable for use, the use of a single 'tridicator' saves time during installation, amount of piping required and of course saves money versus using separate gauges and thermometers. The primary application for these is hot water boilers and water heaters.

General Specifications

- 2 1/2" Dial, 1/4"Npt Center Back Connection
- Available With 1/2"Npt Adapter
- Black Steel Case and Bezel
- Dual Reading Pressure & Temperature
- Temperature: 70-320°f & 20-160°c
- Pressure: PSI & Feet of Water
- Plastic Lens with Red Indicator
- 3-2-3 % Accuracy



Dimensions	A	B	C	D	E	F
INCHES	2.64	1.02	Per Customers Requirements	Per Customers Requirements	.34	.53
MILLIMETERS	67	26	Per Customers Requirements	Per Customers Requirements	9	13.5

PART NUMBER	PRESSURE		TEMPERATURE	
	PSI	Feet of Water	°F	°C
TRI-RC-254Rx.xx-D	0/75 PSI	0-170'	70-320°F	20-160°C
TRI-RC-254Rx.xx-E	0/100 PSI	0-231'	70-320°F	20-160°C
TRI-RC-254Rx.xx-G	0/200 PSI	0-460'	70-320°F	20-160°C
TRI-RC-254Rx.xx-H	0/300 PSI	0-690'	70-320°F	20-160°C

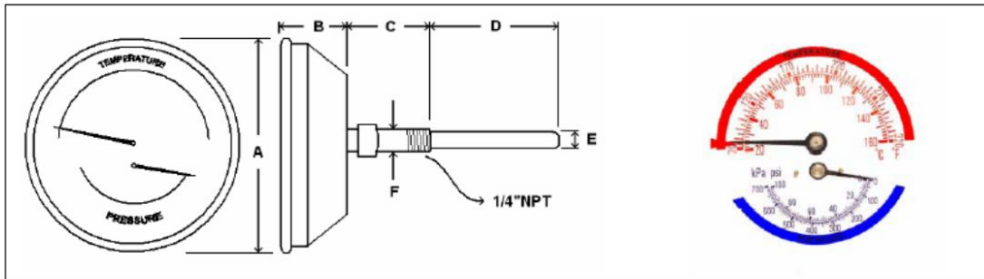
BUFFALO BACKFLOW INC.

3 1/2" COMMERCIAL TRIDICATORS

These instruments have been designed to indicate temperature and pressure in a single unit. With a price that makes this an affordable option for applications where bronze internals are suitable for use, the use of a single 'tridicator' saves time during installation, amount of piping required and of course saves money versus using separate gauges and thermometers. The primary application for these is hot water boilers and water heaters.

General Specifications

- 3 1/4" Dial, 1/4"Npt Center Back Connectic
- Available With 1/2"Npt Adapter
- Black Steel Case and Bezel
- Dual Reading Pressure & Temperature
- Temperature: 70-320°F & 20-160°C
- Pressure: 0-100 Psi & 0-700 Kpa
- Plastic Lens
- 3-2-3 % Accuracy



Dimensions	A	B	C	D	E	F
INCHES	3.20"	1.20"	1.96"	1.50"	.37"	.54"
MILLIMETERS	84mm	30.7mm	50.7mm	38mm	9.5mm	13.7mm

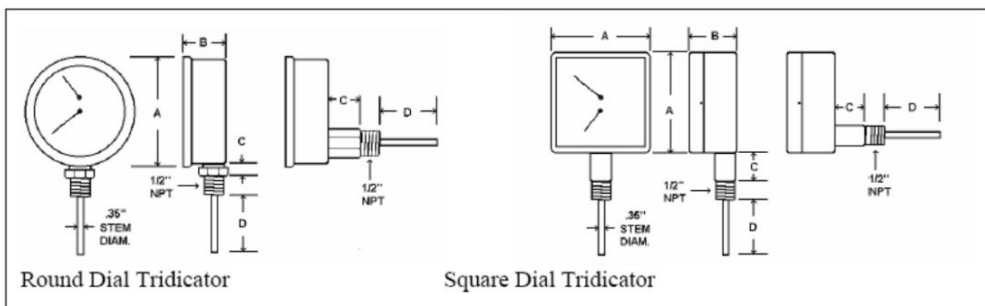
PART NUMBER	PRESSURE		TEMPERATURE	
	PSI	kPa	'F	'C
TRI-RC-3.25Rx.xx-D	0/60 PSI	0-400 kPa	70-320°F	20-160°C
TRI-RC-3.25Rx.xx-E	0/100 PSI	0-700 kPa	70-320°F	20-160°C
TRI-RC-3.25Rx.xx-G	0/200 PSI	0-1400 kPa	70-320°F	20-160°C
TRI-RC-3.25Rx.xx-H	0/300 PSI	0-2100 kPa	70-320°F	20-160°C

INDUSTRIAL TRIDICATORS

These instruments have been designed to indicate temperature and pressure in a single unit. With a price that makes this an affordable option for applications where bronze internals are suitable for use, the use of a single 'tridicator' saves time during installation, amount of piping required and of course saves money versus using separate gauges and thermometers. The primary application for this product is hot water boilers and water heaters.

STANDARD FEATURES

- Painted Steel Case
(For Rust And Corrosion Resistance)
- Plastic Lens On Round Dial Tridicators
Glass Lens On Square Dial Tridicators
- +/- 1 % Full Scale Accuracy
- Large Easy To Read Numbers
- Dual Scale: PSI & kPa For Pressure
'F & 'C Temperature



		A	B	C	D
ROUND DIAL TRIDICATORS	INCHES	3.93"	1.41"	.63"	2.00"
	MM	99.82	35.80	16	51
SQUARE DIAL TRIDICATORS	INCHES	3.65"	1.51"	.89"	2"
	MM	92.75	38.39	22.60	50.80

PART NUMBER	PRESSURE	TEMPERATURE	CONN	DIAL
TRI-RC-352L-D	0/75 PSI	60-260°F	LOWER	ROUND
TRI-RC-352L-G	0/200 PSI	70-320°F	LOWER	ROUND
TRI-RC-352R-D	0/75 PSI	60-260°F	BACK	ROUND
TRI-RC-352R-G	0/200 PSI	70-320°F	BACK	ROUND
TRI-SQ-352L-D	0/75 PSI	60-260°F	LOWER	SQUARE
TRI-SQ-352L-E	0/100 PSI	60-260°F	LOWER	SQUARE
TRI-SQ-352L-G	0/200 PSI	80-320°F	LOWER	SQUARE
TRI-SQ-352R-D	0/75 PSI	60-260°F	BACK	SQUARE
TRI-SQ-352R-E	0/100 PSI	60-260°F	BACK	SQUARE
TRI-SQ-352R-G	0/200 PSI	80-320°F	BACK	SQUARE
TRI-SQ-352R-H	0/300 PSI	80-320°F	BACK	SQUARE

9" SCALE INDUSTRIAL THERMOMETERS

SIMPLE ADJUSTMENT

Just two screws permit case to be rotated 180° and stem to be positioned in 10° increments allowing user to select the most desirable viewing position.

EASY READABILITY

Lens front blue reading spirit filled thermometer tube is mounted on V-shaped aluminum scale with bold black lines and numerals

ACCURATE

Calibrated against standards traceable to the National Institute of Standards and Technology and guaranteed accurate to ± one scale division

CONSTRUCTION

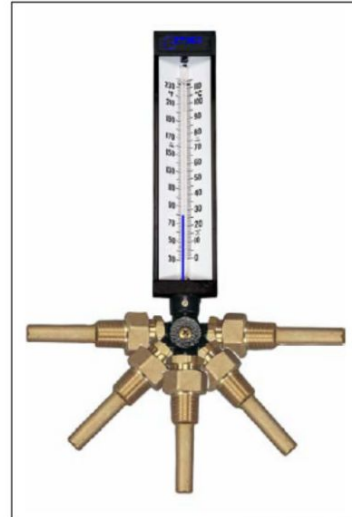
Black molded Cyclac plastic case with glass front to exclude dirt and dust is standard for ranges up to 400°F*(200°C). Black enameled die cast aluminum case is standard for ranges 550° (285°C) and over and is also available for all ranges on special order. Plastic face is optional at additional charge.
**Case should not be subjected to temperatures greater than 200°F*

CONNECTION ASSEMBLY

Swivel nut has 1 1/4-18" NEF thread. Bulb chambers are tapered to insure proper fit in well.

NOTE

Also available in Straight Form (Cat. No. 105) and 90° Back Angle Form (Cat. No. 115). Contact factory for price and availability.



SCALE SIZE	STEM LENGTHS			
	3 1/2"	6"	9"	12"
7"	AS5H7	AS5L7		
9"	AS5H9	AS5L9	AS5N9	AS5Q9

*Available Eco-Red filled – Add E to the end of the model number

WHEN ORDERING: Specify (1) Thermometer Catalog No. from the table above (2) Specify Range(s) required.

Also available as Air Duct type and with thermowells

SOLAR DIGITAL THERMOMETER

The solar-powered DSI Series Thermometer fits any standard industrial thermometer well. The bold, hi-contrast display is easily read from greater distances than the typical glass tube thermometer. The unique design includes bi-directional solar panels, allowing the unit to collect light from multiple planes.

The DSI Series Industrial Thermometer is furnished in one standard temperature range (-58 to 302°F & -50 to 150°C) which is switchable in the field greatly reducing inventory requirements.

Features:

Dual Solar Panels = Better light pick up in low light conditions

F or C switching = less inventory for more applications

Swivel + Angle Adjustment = suitable for all locations



SPECIFICATIONS

Case: High Impact Abs Black Plastic

Stem: Aluminum, 3 1/2" Or 6"

Connection: 1 1/4" - 18 Unef Brass Jam Nut

Sensor: Glass Passivated Thermistor

Range: -58° To 302°F (-50 To 150°C), Field-Switchable Between °F & °C

Display: Lcd, Black Character, 1/2" High With Gray Background

Illuminance: Bi-Directional Solar Collectors, 35 Lux

Update Time: 6 Times Per Minute

Accuracy: Greater Value Of 1° Or 1% Of Reading

Resolution: 0.10° Between -58° To 199.9°F (-50° To 93°C)

Recalibration: Internal Potentiometer

Environmental Conditions:

Ambient Temperature: -30° To 140°F (-35° To 60°C)

Ambient Temperature Error: None

Maximum Humidity: 100%

DIMENSIONS

	DSI-FC-35	DSI-FC-6
	3 1/2" Stem	6" Stem
A	3.20	3.20
B	7.56	10.06
C	5.75	8.25
U	2.50	5.00

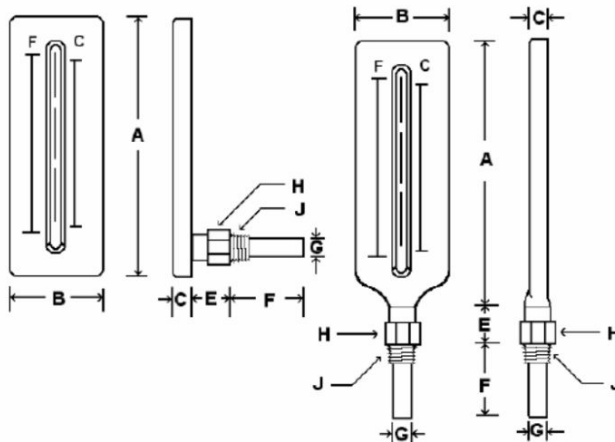
THERMOWELLS

		Brass	316SS
3 1/2"	std	TWB-35	T4E3D2
	lag	TWB-35-LAG	T4E3D2B
6"	std	T1M3D2	T4M3D2
	lag	T1M3D2E	T4M3D2E

160 SERIES 5" SCALE THERMOMETER

STANDARD FEATURES

- 5" White Painted Steel Scale
- Black Marking
- Dual Scale 40/280°F & 15/135°C
- Red Liquid Filled (No Mercury)
- ½"NPT Connection
- Brass or Steel Well
- Bottom or Back Connection
- +/- 1 Scale Division Accuracy



Model Numbers		
Part #	Stem	Well
162F	Bottom	Brass
162FS	Bottom	Steel
163F	Back	Brass
163FS	Back	Steel

Type	A	B	C	E	F	G	H	J
Bottom	7 ¾"	1 13/16"	3/8"	1"	2 1/8"	15/32"	7/8"	½"NPT
Back	7"	1 13/16"	3/8"	7/8"	2 1/8"	15/32"	7/8"	½"NPT