

BUFFALO BACKFLOW INC.

301L ALL SS BOTTOM MOUNT LIQUID FILLED

Our '300' series gauge line is a high quality line of liquid filled gauges. The glycerine filling helps dampen the effects of pulsation and vibration, while also perpetually lubricating the movement (and keeping contaminants such as dirt away from all moving parts) which will extend the life of the gauge.

This gauge has been specifically designed with original equipment manufacturers in mind. It is typically used in chemical processing or food processing applications as well as any commercial or industrial application where stainless steel components are required.

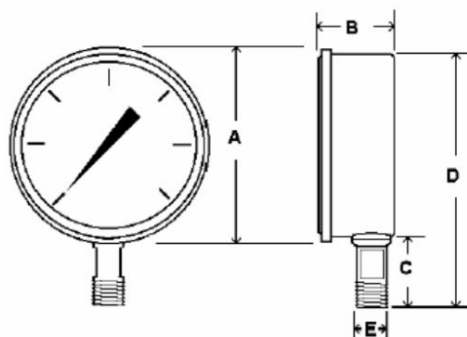
SPECIFICATIONS:

- Available Dial Sizes: 2 1/2", 4", 6"
- Available Connection Sizes:
1/4"MNPT on 2", 2 1/2" and 4"
1/2"MNPT on 4" and 6"
- Stainless Steel Case and Crimped Bezel
- SS Internals
- 316 SS Bourdon Tube & Connection
- Connection Welded to Case
- Liquid Filled (Dry Available)
- Accuracy : 2 1/2"Dial Size = 1.5 %
4" and 6" Dial Size = 1 %
- Dual Scale: PSI & Bar (x100=kPa)
(Single Scale available)
- Ambient temperature: FILLED: 30°F to 160°F
DRY: -30°F to 180°F



| RANGE | CODE | Major In | Minor in |
|----------|------|----------|----------|
| 30/0"VAC | A | 5 | 0.5 |
| 30/0/15 | CB | 5 | 0.5 |
| 30/0/30 | CC | 10 | 1 |
| 30/0/60 | CD | 10 | 1 |
| 30/0/100 | CE | 20 | 2 |
| 30/0/150 | CF | 20 | 2 |
| 30/0/300 | CH | 50 | 10 |
| 0/15 | B | 2 | 0.2 |
| 0/30 | C | 5 | 0.5 |
| 0/60 | D | 10 | 1 |
| 0/100 | E | 20 | 2 |
| 0/160 | F | 20 | 2 |
| 0/200 | G | 40 | 4 |
| 0/300 | H | 50 | 5 |
| 0/400 | I | 50 | 5 |
| 0/500 | J | 100 | 10 |
| 0/600 | K | 100 | 10 |
| 0/800 | L | 100 | 10 |
| 0/1000 | M | 200 | 20 |
| 0/1500 | N | 200 | 20 |
| 0/2000 | O | 400 | 50 |
| 0/3000 | P | 500 | 50 |
| 0/4000 | Q | 500 | 50 |
| 0/5000 | R | 1000 | 100 |
| 0/6000 | S | 2000 | 200 |
| 0/10,000 | U | 2000 | 200 |
| 0/15,000 | V | 2000 | 200 |

Some ranges not available in all dial sizes, please call with your particular application



| | | A | B | C | D | E |
|-------------|----|------|------|------|------|---------|
| 2 1/2" Dial | In | 2.67 | 1.30 | 1.04 | 3.50 | 1/4" |
| | MM | 68 | 33 | 26 | 89 | NPT |
| 4" Dial | In | 4.32 | 1.63 | 1.25 | 5.57 | 1/4" or |
| | MM | 110 | 42 | 32 | 141 | 1/2"npt |
| 6" Dial | In | 6.54 | 1.70 | 1.68 | 8.22 | 1/4" or |
| | MM | 166 | 43 | 43 | 210 | 1/2"npt |